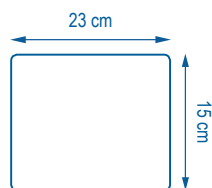




Dispoglove

 MADE IN EUROPE



SMART TEXTILES





SMART TEXTILES

Dispoglove
MADE IN EUROPE

DISPOSABLE MICROFIBER GLOVE

For those of you who have no plans to use a washing machine and who want to control the risk of cross-contamination, *Dispoglove*, a disposable 100 % microfiber glove, is made for you. For those who want to use it for a bit longer, it will withstand around 5 to 10 machine washes.

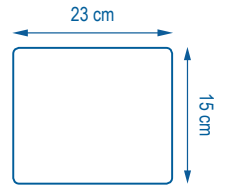


Dispoglove is simply your hand! It goes everywhere, into every nook and cranny, without letting go. Its white colour demonstrates its effectiveness as you notice how grey it goes. A perfect inspection tool for the most demanding (in luxury hotels for example).

Dispoglove can be used dry to attract all dust using electrostatic force. So dusting becomes child's play! It can also be used damp, giving it two other powers: mechanical force for dirt removal and capillary force for absorption.



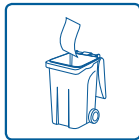
Why resist? One last thing, *Dispoglove* is smart, with your hand inside, it is used flat with maximum fibres in contact with the surface, unlike those cowardly cloths that spend their lives in a ball.



TECHNICAL SPECIFICATIONS

DEITEX 100 376

100 % microfiber
(100 % polyester)



Description: Disposable microfiber glove

Packaging: Cartons de 10 sachets de 10 gants

Construction: Tricot à plat

Weight per m²: 180 g

Dry weight: 12 g

Weight when wrung: /

Absorption rate (water): /

Finish: Melting / Ultrasonic cutting

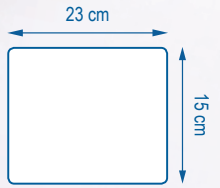
Yarn size: Continuous yarn 0,26 dTex



SMART TEXTILES

Dispoglove

MADE IN EUROPE



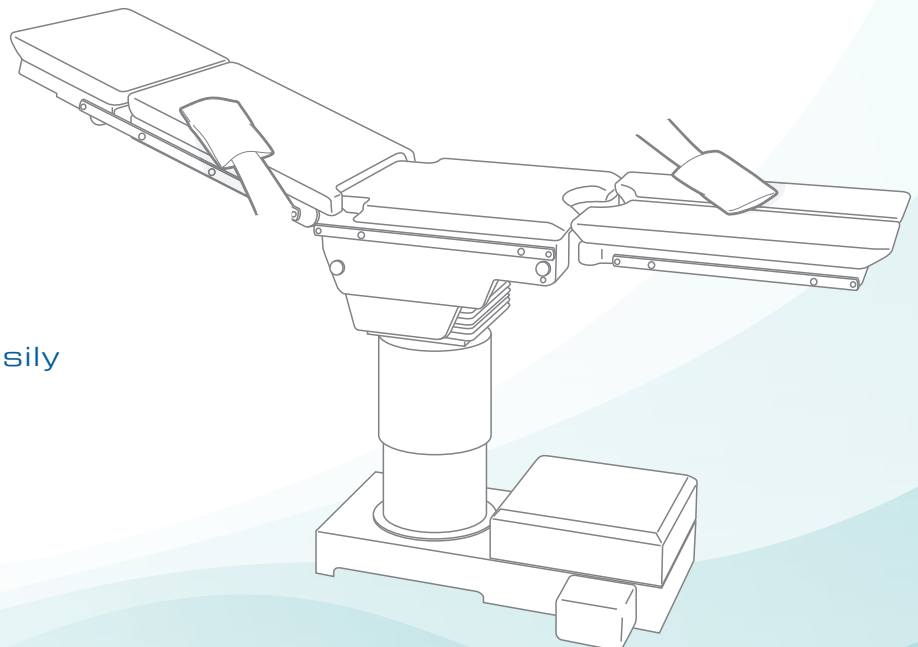
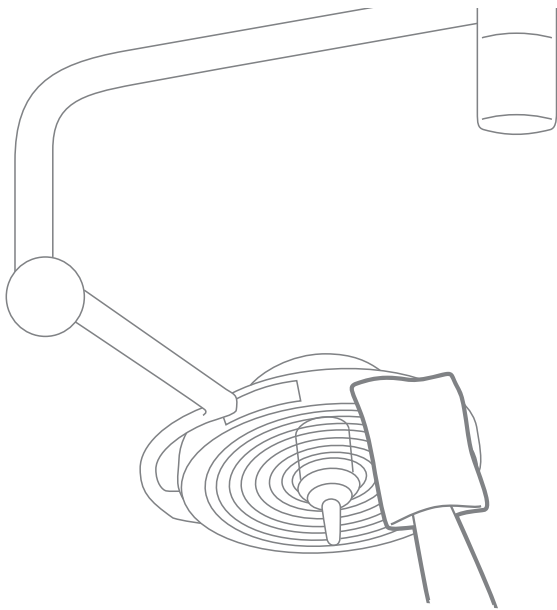
PROTOCOL



Advanced industries



Operating theaters /
Intensive care units



Clean hard-to-reach areas easily