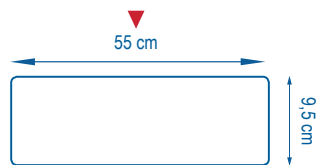
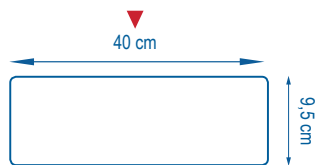


# PAD



SMART TEXTILES



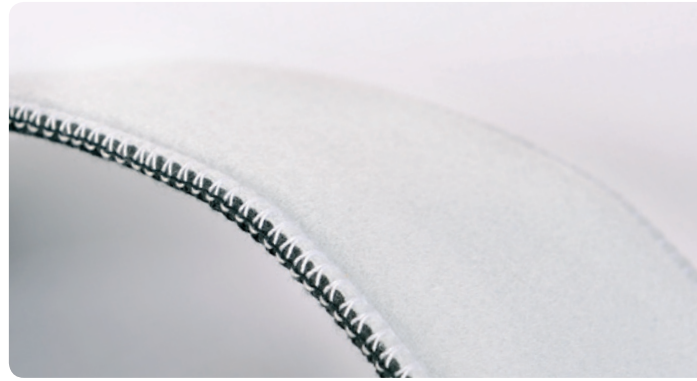


SMART TEXTILES

**PAD**

## PAD MATCHING WITH DISPOSABLE AND SHORT LIFE MICROFIBER MOPS

PAD is a sort of rectangular strip, 40 x 9.5 cm, quite thick with one black side (microfiber mop side) and one white side (to be attached to the Velcro frame). It's used to provide greater softness and maximise cleaning on any surface by disposable and short life DECITEX mops.



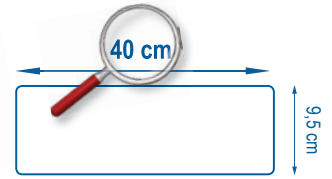
PAD is an essential product for improving contact with the floor by the finest and most innovative microfiber mops in the DECITEX range. For dry mopping the *Dry Dispomop*® gauze and for mopping the disposable *Dispomop*® and *ULTIMATE Dispomop*® or the short life (50-wash) *Dispomop*® 3D and *ULTIMATE 3D*.

The good news is that DECITEX has decided to provide a PAD in each box of the products listed above. So everything becomes simple: you can concentrate on the essentials as your new PAD replaces the old one when you open a new box of disposable or short life mops!

No specific order needed.



Lastly, PAD is a hygienic tool since it's hydrophobic (doesn't absorb water) so bacteria can't grow inside it. Once in place on the frame, it stays there its entire life (4 to 6 months) and is disinfected with the frame by soaking in disinfectant solution as you currently do.



## TECHNICAL SPECIFICATIONS



100 397

Closed cell polyolefin foam



**Description:** PAD matching with disposable and short life microfiber mops

**Conditionnement :** Box of 35 bags of 2 PADs

**Foam composition:** Closed cell polyolefin foam

- Foam main specifications:**
- Low water absorption values
  - Inert to a wide range of chemicals
  - No odour
  - Ecologically and chemically neutral
  - Safe disposal by recycling, dumping or incineration

**Counterpart:** Three hydrophobic layers



SMART TEXTILES

**PAD**

40 cm

9,5 cm

# PROTOCOL

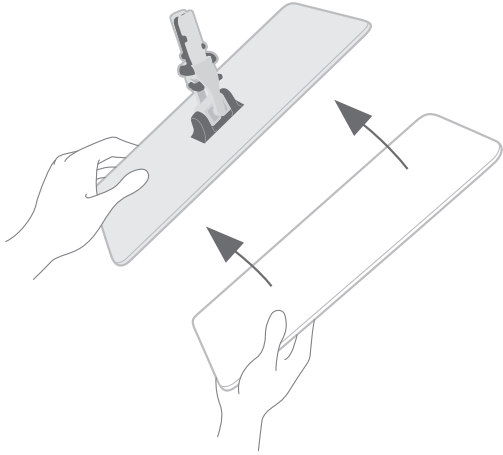


Operating theaters /  
Intensive care units

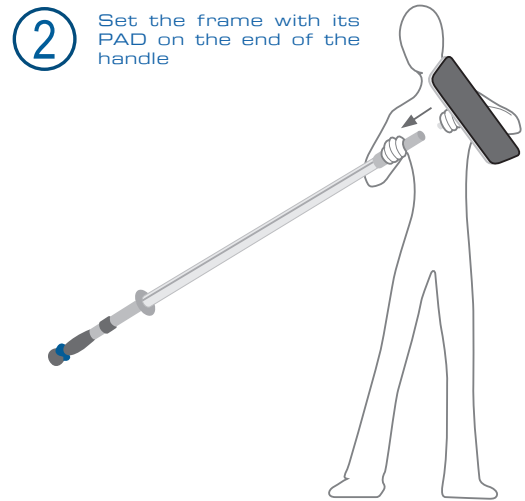


Healthcare

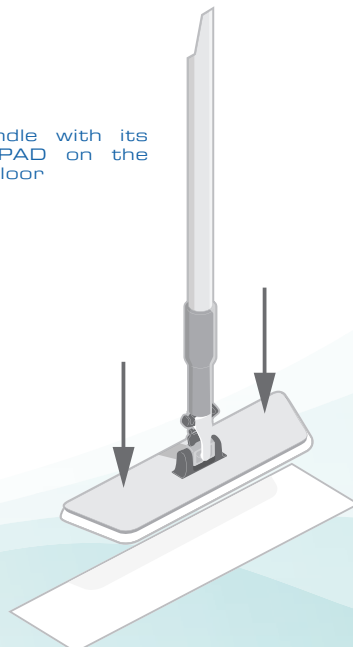
1 Set the PAD on the frame

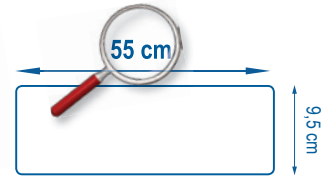
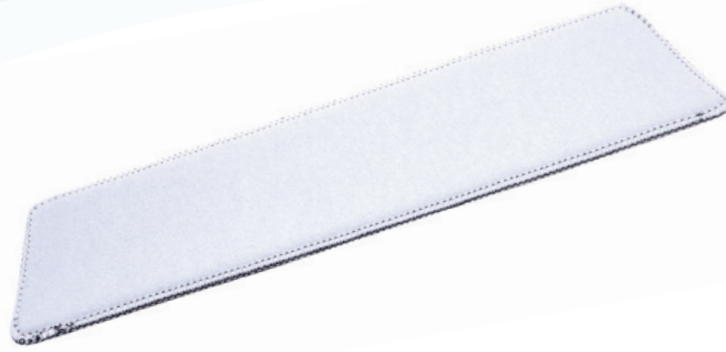


2 Set the frame with its PAD on the end of the handle



3 Set the handle with its frame and PAD on the mop on the floor





## TECHNICAL SPECIFICATIONS



100 491

Closed cell polyolefin foam



**Description:** PAD matching with disposable and short life microfiber mops

**Conditionnement :** Box of 35 bags of 2 PADs

**Foam composition:** Closed cell polyolefin foam

- Foam main specifications:**
- Low water absorption values
  - Inert to a wide range of chemicals
  - No odour
  - Ecologically and chemically neutral
  - Safe disposal by recycling, dumping or incineration

**Counterpart:** Three hydrophobic layers



SMART TEXTILES

**PAD**

55 cm

9,5 cm

# PROTOCOL

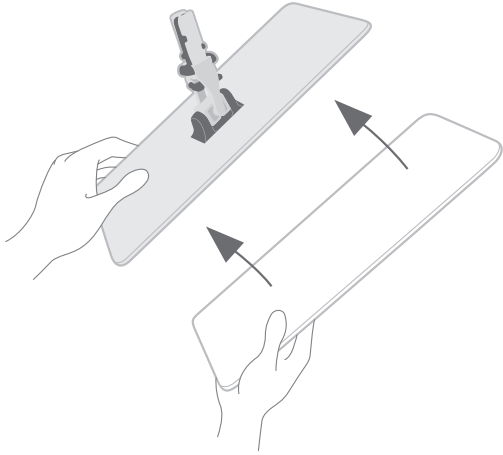


Operating theaters /  
Intensive care units

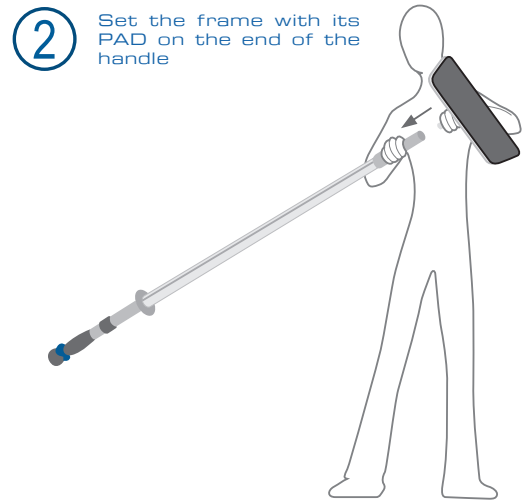


Healthcare

1 Set the PAD on the frame



2 Set the frame with its PAD on the end of the handle



3 Set the handle with its frame and PAD on the mop on the floor

