



SMART TEXTILES

**PAD**

40 cm

9.5 cm

# PROTOCOL

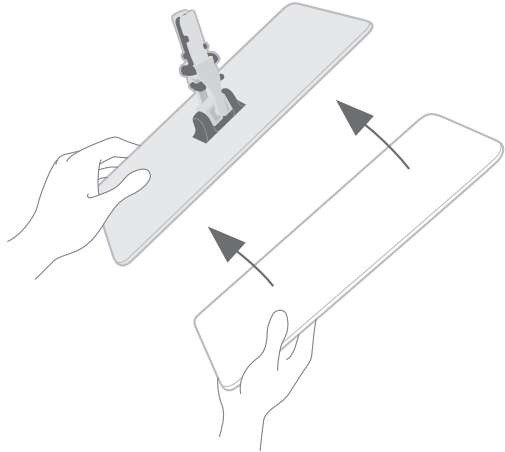


Operating theaters /  
Intensive care  
units

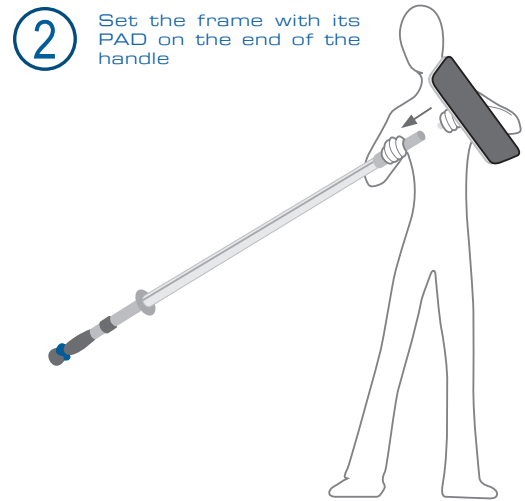


Healthcare

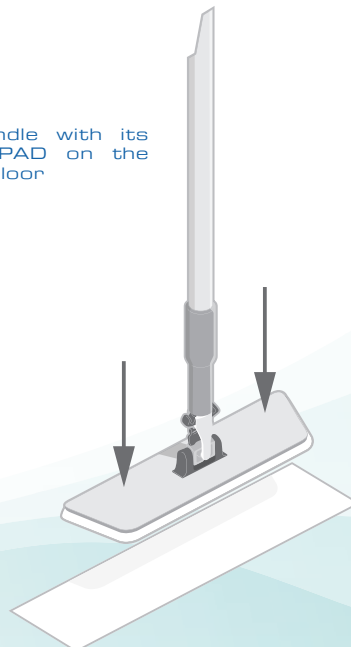
1 Set the PAD on the frame

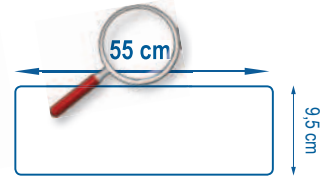


2 Set the frame with its PAD on the end of the handle



3 Set the handle with its frame and PAD on the mop on the floor





## TECHNICAL SPECIFICATIONS

Closed cell polyolefin foam



**Description:** PAD matching with disposable and short life microfiber mops

**Conditionnement :** Box of 35 bags of 2 PADs

**Foam composition:** Closed cell polyolefin foam

- Foam main specifications:**
- Low water absorption values
  - Inert to a wide range of chemicals
  - No odour
  - Ecologically and chemically neutral
  - Safe disposal by recycling, dumping or incineration

**Counterpart:** Three hydrophobic layers



SMART TEXTILES

**PAD**

55 cm

9.5 cm

# PROTOCOL

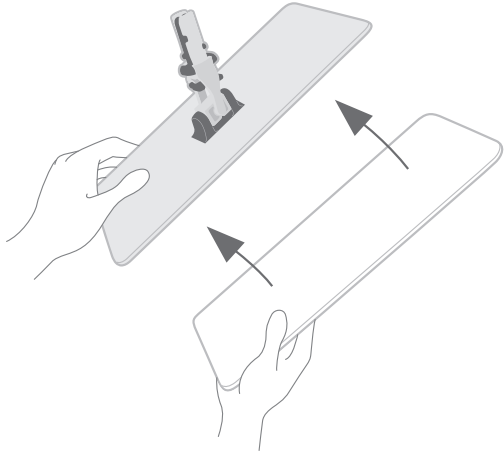


Operating theaters /  
Intensive care  
units

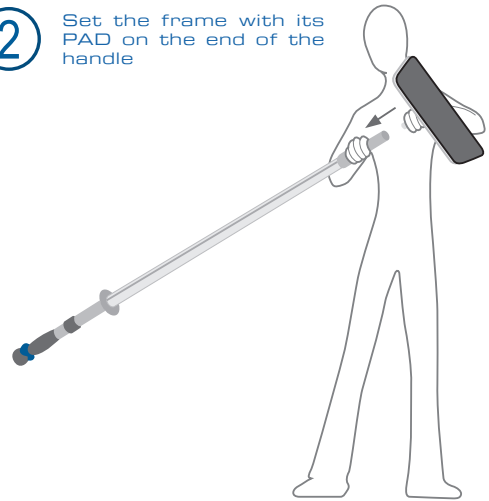


Healthcare

1 Set the PAD on the frame



2 Set the frame with its PAD on the end of the handle



3 Set the handle with its frame and PAD on the mop on the floor

