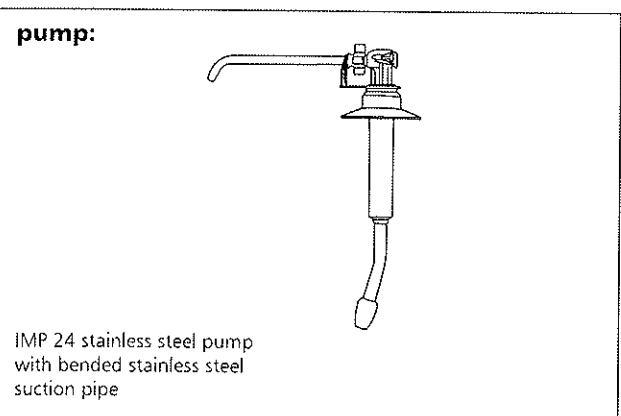
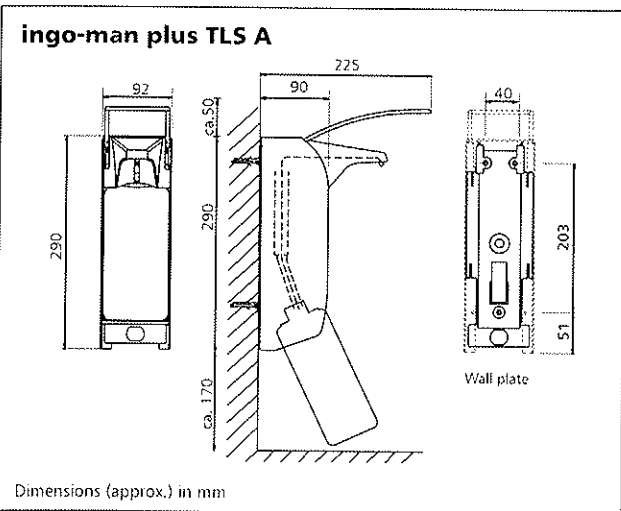
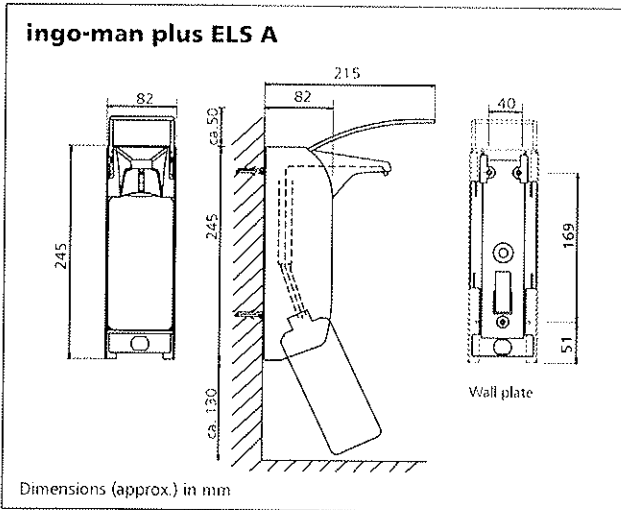


ingo-man® plus IMP ELS A • IMP TLS A

dispenser for soap and disinfectant • aluminium
with exchangeable pump for front removal • autoclavable
long operating lever • for disposable bottles, refillable



Ophardt Hygiene-Technik GmbH + Co. KG
Lindenau 27 • D-47661 Issum
Tel.: +49 2835 18-0 • Fax: +49 2835 18-77
E-Mail: info@ophardt.com • www.ophardt.com



Dispenser for soap and disinfectant

- ▶ dispenses liquid soaps without abrasive agents, alcoholic hand disinfectants, lotions, massage oils etc.
- ▶ ideal for hospitals and medical domains
- ▶ for disposable 500 ml or 1000 ml bottles
- ▶ with exchangeable pump
- ▶ pivoted face shield for easy pump exchange by front, without to remove the dispenser from the wall
- ▶ stainless steel pump cylinder with anti-corrosions coating

Technical Data

- Housing: Aluminium, silver anodized
- Dosing pump: IMP 24 pump stainless steel, bended stainless steel suction pipe, autoclavable, stainless steel pump cylinder
- Dosing: Dosage adjustable at approx. 0,75 ml/1,0 ml/1,2 ml/1,5 ml (in dependence on Viskosity of the product)
- Operating lever: stainless steel
- Wall plate: Standard ingo-man plastic wall plate
- Wall mounting: with three plugs and screws
- Cleaning: dispenser and pump dishwasher-proof and autoclavable at 134° C, 3 bar

Description for tender

..... pcs.

ingo-man plus IMP ELS A/24 Art-No. 1416000
dispenser for soap and disinfectant, 500 ml, aluminium, silver anodized, long operating lever, exchangeable IMP 24 stainless steel pump, for cleaning the pump remove it out of the dispenser from the front, autoclavable
Dimensions: W 82 x H 245 x D 215 mm

..... pcs.

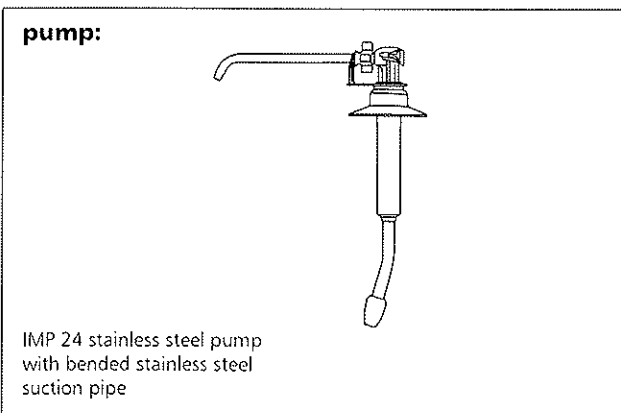
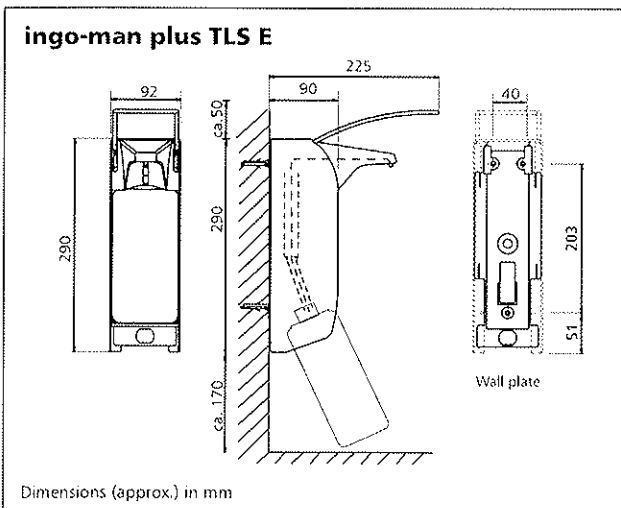
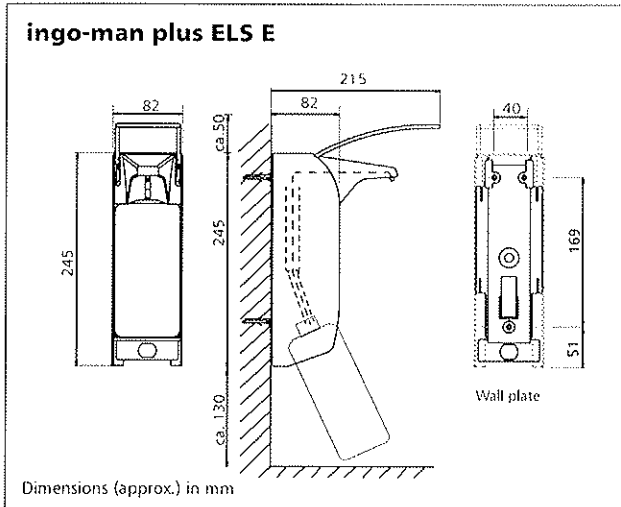
ingo-man plus IMP TLS A/24 Art-No. 1415993
dispenser for soap and disinfectant, 1000 ml, aluminium, silver anodized, long operating lever, exchangeable IMP 24 stainless steel pump, for cleaning the pump remove it out of the dispenser from the front, autoclavable
Dimensions: W 92 x H 290 x D 225 mm

Product: **ingo-man®**
Manufacturer: OPHARDT HYGIENE-TECHNIK GmbH + Co. KG

ingo-man® plus IMP ELS E • IMP TLS E
 dispenser for soap and disinfectant • stainless steel
 with exchangeable pump for front removal • autoclavable
 long operating lever • for disposable bottles, refillable



Ophardt Hygiene-Technik GmbH + Co. KG
 Lindenau 27 • D-47661 Issum
 Tel.: +49 2835 18-0 • Fax: +49 2835 18-77
 E-Mail: info@ophardt.com • www.ophardt.com



Dispenser for soap and disinfectant

- ▶ dispenses liquid soaps without abrasive agents, alcoholic-based disinfectants, lotions, massage oils etc.
- ▶ ideal for hospital and medical domains
- ▶ for disposable 500 ml or 1000 ml bottles
- ▶ with exchangeable pump
- ▶ can rapidly be replaced and processed by easy front removal
- ▶ stainless steel pump cylinder with anti-corrosions coating

Technical Data

- Housing: Stainless steel, ground
 Dosing pump: IMP 24 pump stainless steel, bended stainless steel suction pipe, autoclavable, stainless steel pump cylinder
 Dosing: Dosage adjustable at approx. 0,75 ml/1,0 ml/1,2 ml/1,5 ml (in dependence on viscosity of the product)
 Operating lever: Stainless steel
 Wall plate: Standard ingo-man plastic wall plate
 Wall mounting: with three plugs and screws
 Cleaning: dispenser and pump dishwasher-proof and autoclavable at 134° C, 3 bar

Description for tender

- ingo-man plus IMP ELS E/24**
Art-No. 1416017
 pcs. dispenser for soap and disinfectant, 500 ml, stainless steel, ground, long operating lever, exchangeable IMP 24 stainless steel pump, for cleaning the pump remove it out of the dispenser from the front, autoclavable
 Dimensions: W 82 x H 245 x D 215 mm
- ingo-man plus IMP TLS E/24**
Art-No. 1415995
 pcs. dispenser for soap and disinfectant, 1000 ml, stainless steel, ground, long operating lever, exchangeable IMP 24 stainless steel pump, for cleaning the pump remove it out of the dispenser from the front, autoclavable
 Dimensions: W 90 x H 290 x D 225 mm

Product: **ingo-man® plus**
 Manufacturer: OPHARDT HYGIENE-TECHNIK GmbH + Co. KG

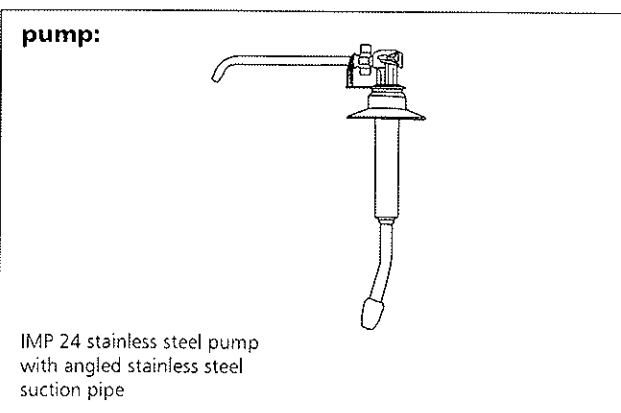
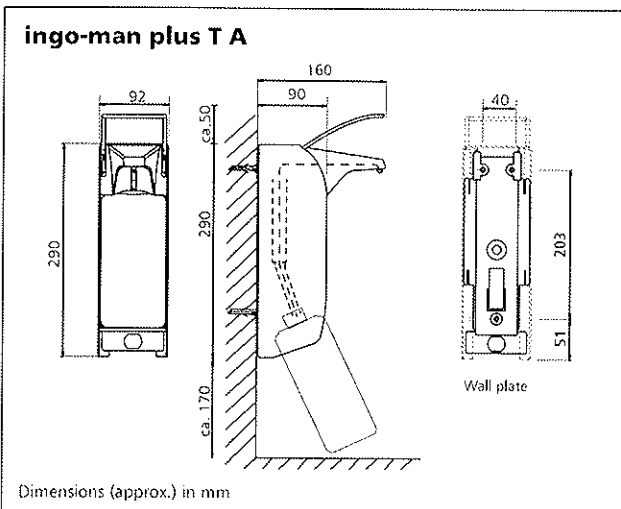
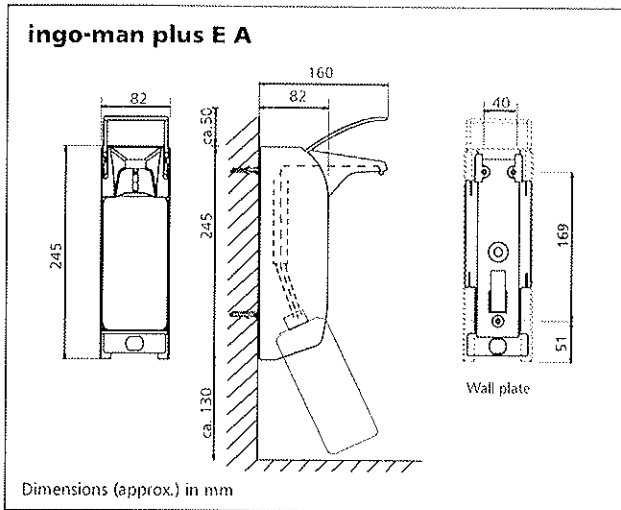
IMP ELS E - IMP TLS E | 04_10 EN

Technical modifications reserved.
 New types of disinfectants or soaps must be tested!

ingo-man® plus IMP E A • IMP T A
 dispenser for soap and disinfectant • aluminium
 with exchangeable pump for front removal • autoclavable
 short operating lever • for disposable bottles, refillable



Ophardt Hygiene-Technik GmbH + Co. KG
 Lindenau 27 • D-47661 Issum
 Tel.: +49 2835 18-0 • Fax: +49 2835 18-77
 E-Mail: info@ophardt.com • www.ophardt.com



Dispenser for soap and disinfectant

- ▶ dispenses liquid soaps without abrasive agents, alcoholic -based disinfectants, lotions, massage oils etc.
- ▶ ideal for hospital and medical domains
- ▶ for disposable 500 ml or 1000 ml bottles
- ▶ with exchangeable pump
- ▶ pivoted face shield for easy pump exchange by front, without to remove the dispenser from the wall
- ▶ stainless steel pump cylinder with anti-corrosions coating
- ▶ antimicrobial coated bracket

Technical Data

- Housing: Aluminium, silver anodized
 Dosing pump: IMP 24 stainless steel pump, angled stainless steel suction pipe, autoclavable, stainless steel pump cylinder
 Dosing: Dosage adjustable at approx. 0,75 ml/1,0 ml/1,2 ml/1,5 ml (in dependence on Viskosity of the product)
 Operating lever: Stainless steel
 Wall plate: Standard ingo-man plastic wall bracket with three plugs and screws
 Wall mounting: dispenser and pump are dishwasher-proof and autoclavable at 134° C, 3 bar
 Cleaning:

Description for tender

ingo-man plus IMP E A/24 Art-No. 1417021
 pcs.
 dispenser for soap and disinfectant, 500 ml, aluminium, silver anodized, short operating lever, exchangeable IMP 24 stainless steel pump, for cleaning the pump remove it out of the dispenser from front, autoclavable
 Dimensions: W 82 x H 245 x D 215 mm

ingo-man plus IMP T A/24 Art-No. 147022
 pcs.
 dispenser for soap and disinfectant, 1000 ml, aluminium, silver anodized, short operating lever, exchangeable IMP 24 stainless steel pump, for cleaning the pump remove it out of the dispenser from front, autoclavable
 Dimensions: W 92 x H 290 x D 220 mm

Product: **ingo-man® plus**
 Manufacturer: OPHARDT HYGIENE-TECHNIK GmbH + Co. KG

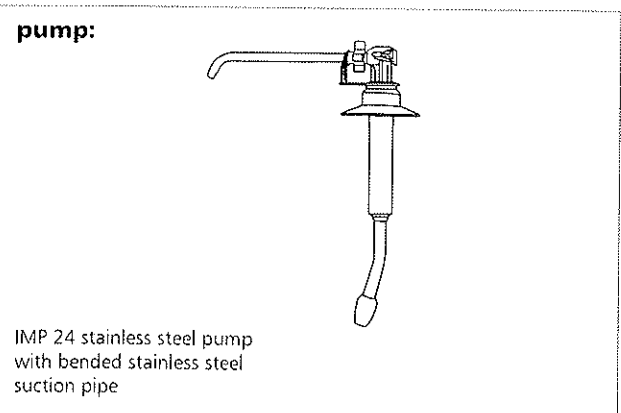
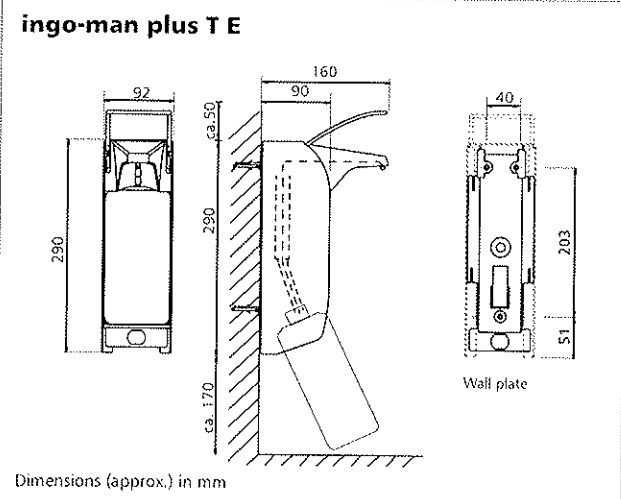
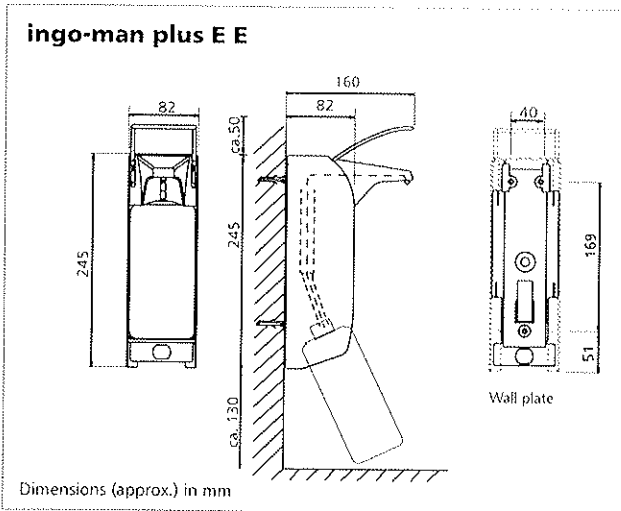
IMP E A - IMP T A | 04.10 EN

ingo-man® plus IMP E E • IMP T E

dispenser for soap and disinfectant • stainless steel
with exchangeable pump for front removal • autoclavable
short operating lever • for disposable bottles, refillable

OPHARDT
hygiene

Ophardt Hygiene-Technik GmbH + Co. KG
Lindenau 27 • D-47661 Issum
Tel.: +49 2835 18-0 • Fax: +49 2835 18-77
E-Mail: info@ophardt.com • www.ophardt.com



Dispenser for soap and disinfectant

- ▶ dispenses liquid soaps without abrasive agents, alcoholic-based disinfectants, lotions, massage oils etc.
- ▶ ideal for hospital and medical domains
- ▶ for disposable 500 ml or 1000 ml bottles
- ▶ with exchangeable pump
- ▶ can rapidly be replaced and processed by easy front removal
- ▶ stainless steel pump cylinder with anti-corrosions coating

Technical Data

- Housing: Stainless steel, ground
Dosing pump: IMP 24 pump stainless steel, bended stainless steel suction pipe, autoclavable, stainless steel pump cylinder
Dosing: Dosage adjustable at approx. 0,75 ml/1,0 ml/1,2 ml/1,5 ml (in dependence on Viskosity of the product)
Operating lever: Stainless steel
Wall plate: Standard ingo-man plastic wall plate
Wall mounting: with three plugs and screws
Cleaning: dispenser and pump dishwasher-proof and autoclavable at 134° C, 3 bar

Description for tender

..... pcs. **ingo-man plus IMP E E/24 Art-No. 1417023**
dispenser for soap and disinfectant, 500 ml, stainless steel, ground, short operating lever, exchangeable IMP 24 stainless steel pump, for cleaning the pump remove it out of the dispenser from the front, autoclavable
Dimensions: W 82 x H 245 x D 160 mm

..... pcs. **ingo-man plus IMP T E/24 Art-No. 1417024**
dispenser for soap and disinfectant, 1000 ml, stainless steel, ground, short operating lever, exchangeable IMP 24 stainless steel pump, for cleaning the pump remove it out of the dispenser from the front, autoclavable
Dimensions: W 90 x H 290 x D 160 mm

Product: **ingo-man® plus**
Manufacturer: OPHARDT HYGIENE-TECHNIK GmbH + Co. KG