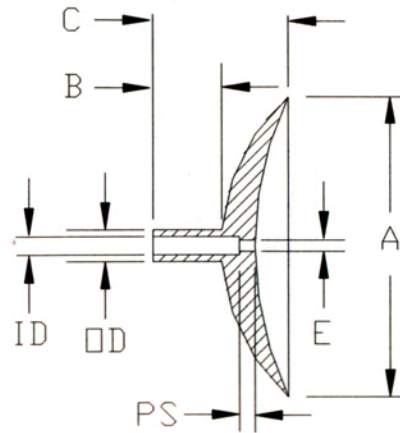


VACUUM CUP DIMENSIONS AND ESD SPECIFICATIONS




Part #	Size	A	B	C	OD	ID	PS	E	@6 In.Hg. Holds
V9009-*	3/32**	0.094 (2.38)	0.140 (3.56)	0.160 (4.06)	0.078 (1.98)	0.040 (1.02)	0.045 (1.14)	0.020 (0.51)	5 grams
V9013-*	1/8	0.125 (3.18)	0.160 (4.06)	0.180 (4.57)	0.100 (2.54)	0.060 (1.52)	0.055 (1.40)	0.035 (0.89)	10 grams
V9018-*	3/16	0.188 (4.76)	0.175 (4.45)	0.200 (5.08)	0.130 (3.30)	0.060 (1.52)	0.055 (1.40)	0.035 (0.89)	25 grams
V9025-*	1/4	0.250 (6.35)	0.160 (4.06)	0.200 (5.08)	0.120 (3.04)	0.060 (1.52)	0.055 (1.40)	0.035 (0.89)	60 grams
V9038-*	3/8	0.375 (9.53)	0.190 (4.83)	0.250 (6.35)	0.125 (3.18)	0.060 (1.52)	0.055 (1.40)	0.035 (0.89)	150 grams
V9050-*	1/2	0.500 (12.7)	0.190 (4.83)	0.300 (7.62)	0.160 (4.06)	0.060 (1.52)	0.055 (1.40)	0.035 (0.89)	250 grams
V9062-*	5/8	0.625 (15.88)	0.175 (4.45)	0.315 (8.00)	0.160 (4.06)	0.060 (1.52)	0.055 (1.40)	0.035 (0.89)	400 grams
V9075-*	3/4	0.750 (19.05)	0.140 (3.56)	0.320 (8.13)	0.160 (4.06)	0.060 (1.52)	0.055 (1.40)	0.035 (0.89)	600 grams

NOTE :Dimensions in Inches (Millimeters)

- * = B Buna-N Rubber 10^8 to 10^{11} ohms. Cup temperature range -20°C to 120°C .
- * = ESD Conductive Silicone 10^2 to 10^5 ohms. Cup temperature range -55°C to 230°C .
- * = PUR Blue PuraClean Rubber Greater than 10^{13} Cup temperature range -55°C to 250°C
- * = C Clear Silicone Rubber Greater than 10^{13} Cup temperature range -55°C to 250°C

** Available in Buna-N Rubber material only.

 SIPEL ELECTRONIC S.A.	
TITLE VACUUM CUP ESD SPECIFICATIONS	
DRAWING NO.	REV
V-CUP-DIMENSIONS	B
NOT TO SCALE	SHEET 1 OF 1